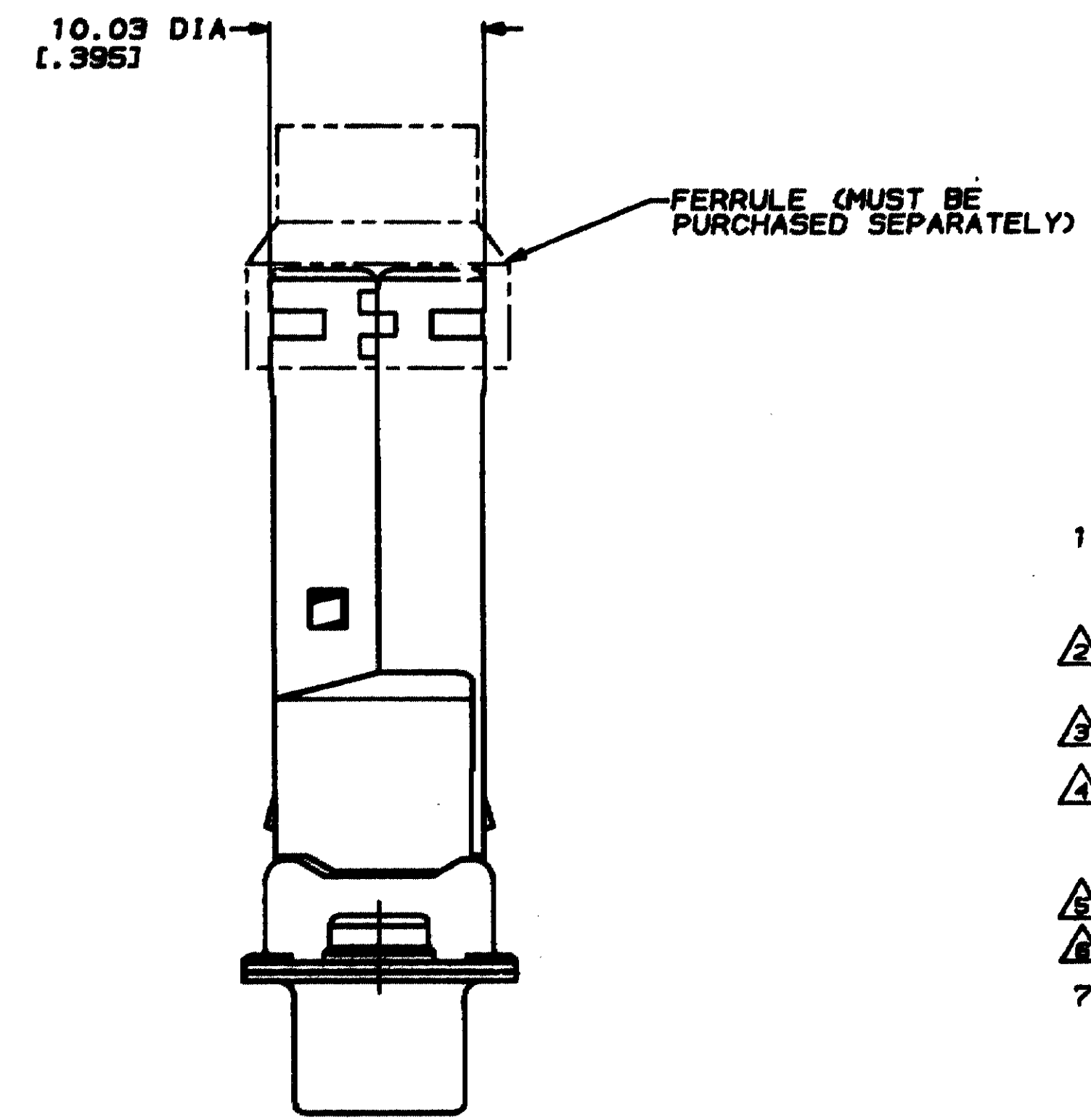
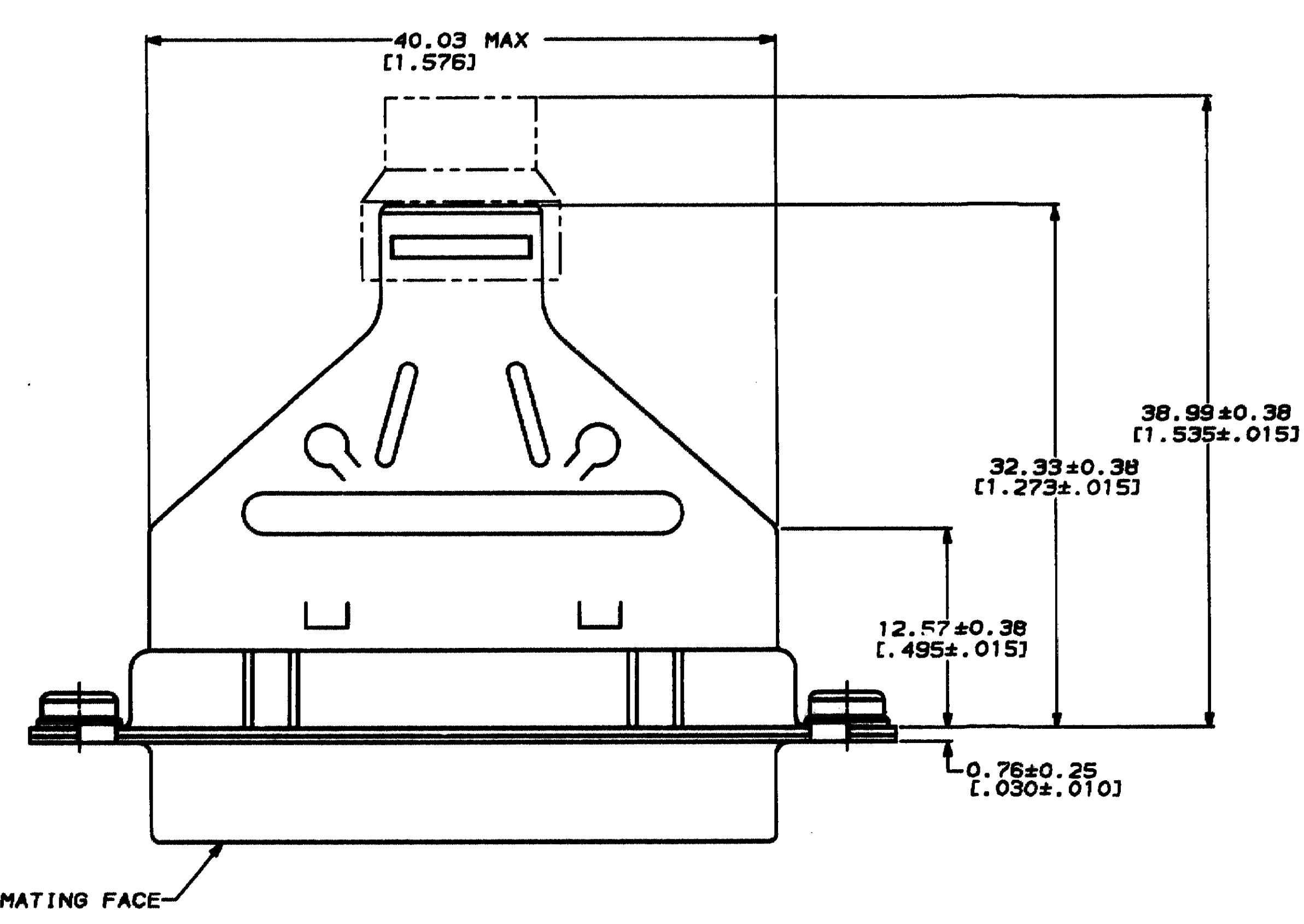
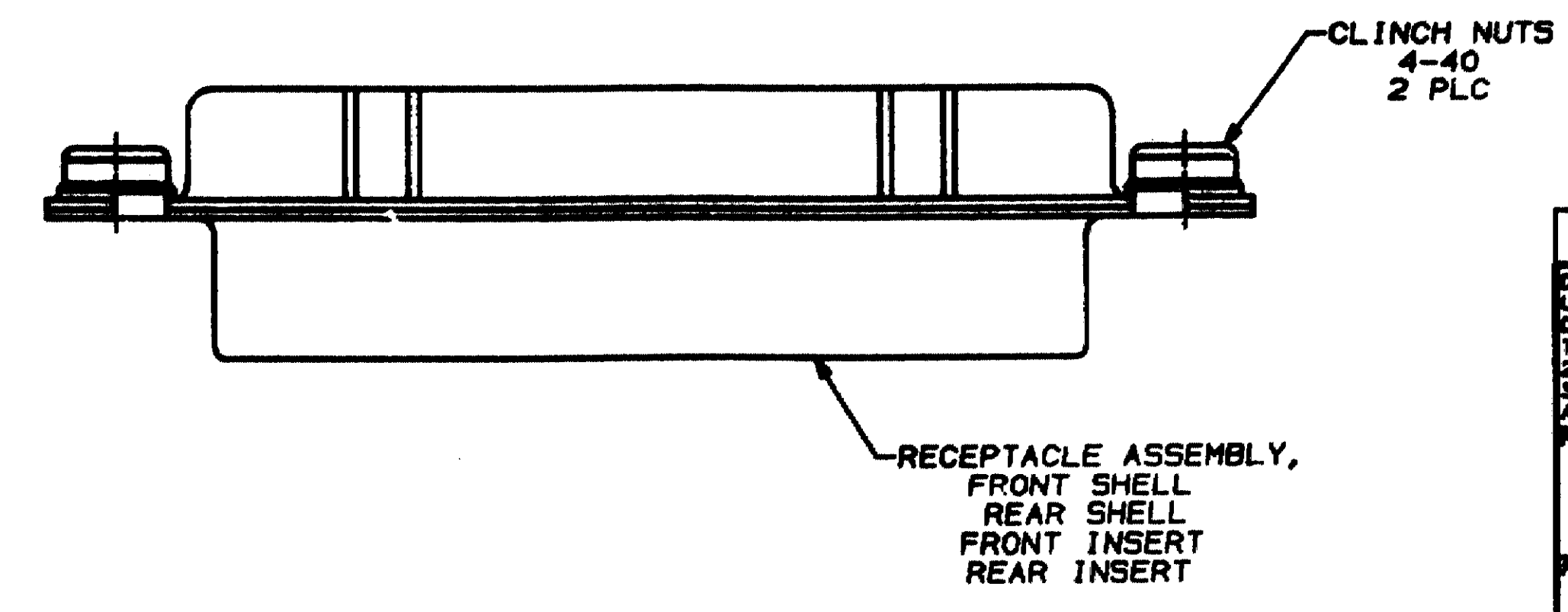
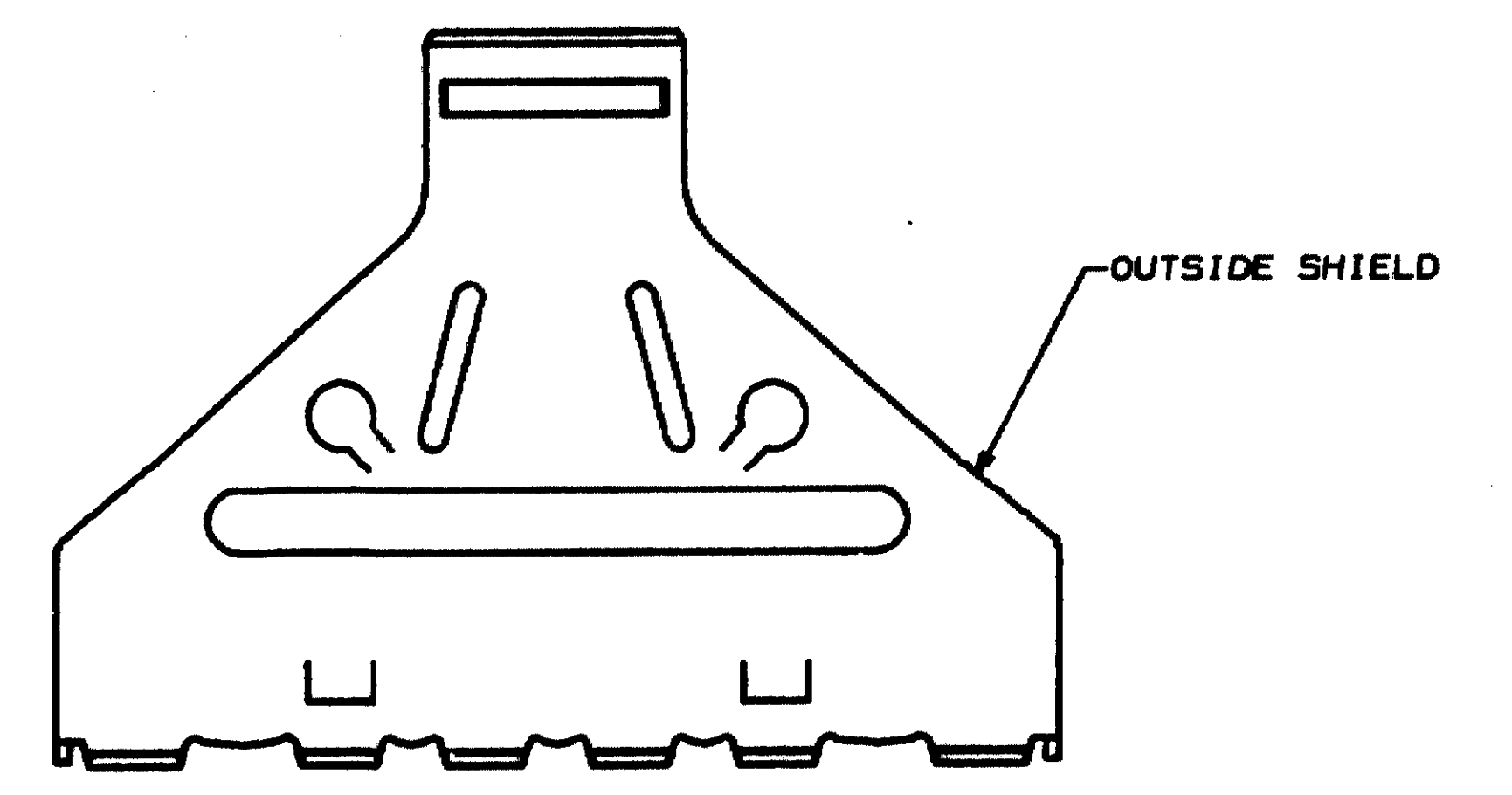
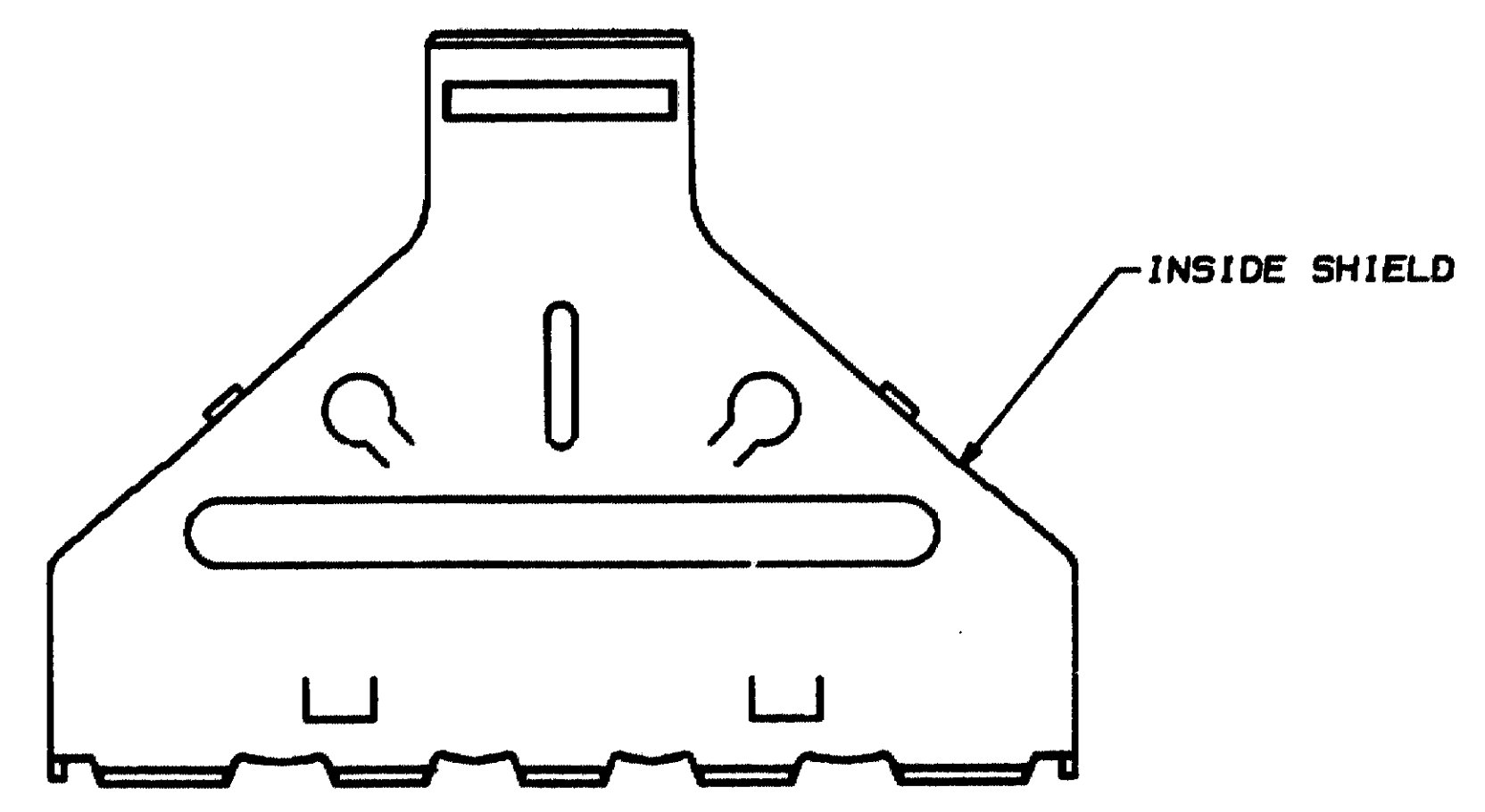
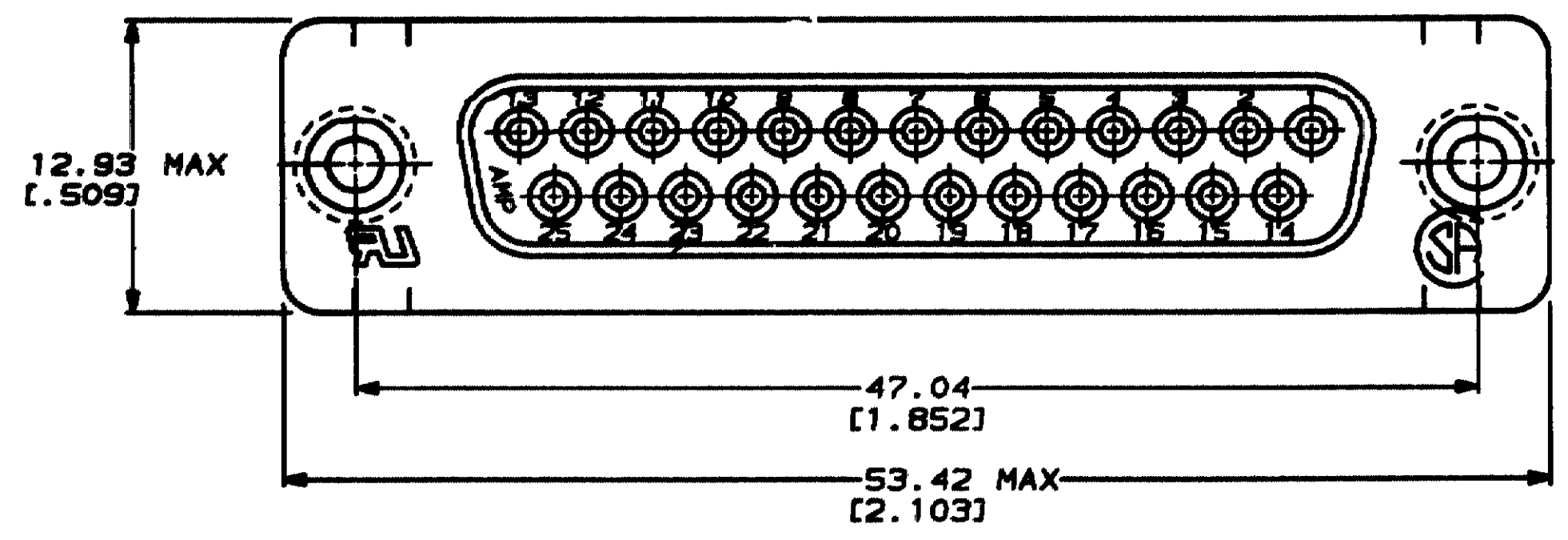


REVISE		DATE		DESCRIPTION		DATE	APPRO
8	BD	39		0	RLSE PER NPR 2451, WAS 87-5788-7-1	08/07/89	-
				A	REV PER ECN BD4493	12/17/89	-



- RECEPTACLE ACCEPTS SIZE 20 PIN CONTACTS, CONTACTS MUST BE ORDERED SEPARATELY. ASSEMBLY MATES WITH ANY 25 POSN PLUG IN AMPLIMITE® SERIES.
- NYLON, FLAME RETARDANT, UL 94V-0 RATEJ, GLASS FILLED, BLACK.
- CARBON STEEL PER ASTM A 109.
- TIN PLATING PER MIL-T-10727, COPPER PLATING PER MIL-C-14550, ZINC PLATING PER ASTM B633, TYPE III, CLASS 5C1, CLEAR CHROMATE.
- 5.08µm [0.000200] MIN TIN OVER 1.27µm [0.000050] MIN COPPER.
- ZINC PLATED.
- EACH PART INDIVIDUALLY BULK PACKED.



DO NOT SCALE PRINT. UNLESS SPECIFIED DIMENSIONS IN mm [INCHES] TOLERANCES ON: 2 PLC DEC ± 0.13 [0.005] 5 PLC DEC ± 0.13 [0.005] ANGLES ± 2°		DR 06/07/89 L.SIPE		749763-1 PART NO	
CHK 6-28-89 M.G. LENKER		APPD 6-25-89 R. WYNE		AMP INCORPORATED Murrysville, Pa. 17138	
APPD 6-25-89 J. SHONERS		PRODUCT SPEC 108-40030		RECEPTACLE KIT, UNASSEMBLED, WITH CLINCH NUTS, SIZE 3, 25 POSITION, SHIELDING HARDWARE, AMPLIMITE, HDP-20®	
APPLICATION SPEC 114-40007		SIZE D	CAGE CODE 00779	DRAWING NO 749763	
SCALE 4:1		SHEET 1 OF 1		CUSTOMER DRAWING	